

# **H&S PARTS BOOK**

## **FEEDER WAGON**



Revision #00

Starting Ser. # FWS2B: 710944

FWS3B: 710643

FWS4B: 710121

Part #75610  
HSMFG0317

**P.O. BOX 768, MARSHFIELD, WI 54449**  
**(715) 387-3414 FAX (715) 384-5463**  
**[www.hsmfgco.com](http://www.hsmfgco.com)**

# CONTENTS

Instructions for Ordering Parts - About Improvements .....	1
Figure 1 - Main Frame & Components .....	2-3
Figure 2 - Wheel Hub Assembly.....	4-5
Figure 3 - Hitch Assembly .....	6-7
Parts Notes .....	8

# **INSTRUCTIONS FOR ORDERING PARTS**

All service parts should be ordered through your authorized H&S dealer. They will be able to give you faster service if you will provide them with the following

1. Model & Serial number is located on the left, rear main frame of your unit.
2. All reference to left or right apply to the machine as viewed from the rear.
3. Parts should not be ordered from illustration only. Please order by complete part number.
4. If your dealer has to order parts - give shipping instructions:  
VIA truck - large pieces (please specify local truck lines)  
VIA United Parcel Service (include full address)

<b>H&amp;S MFG. CO. INC.</b>	
<b>MARSHFIELD, WIS.</b>	
MOD. NO.	<input type="text"/>
SER. NO.	<input type="text"/>
DESCR.	<input type="text"/>

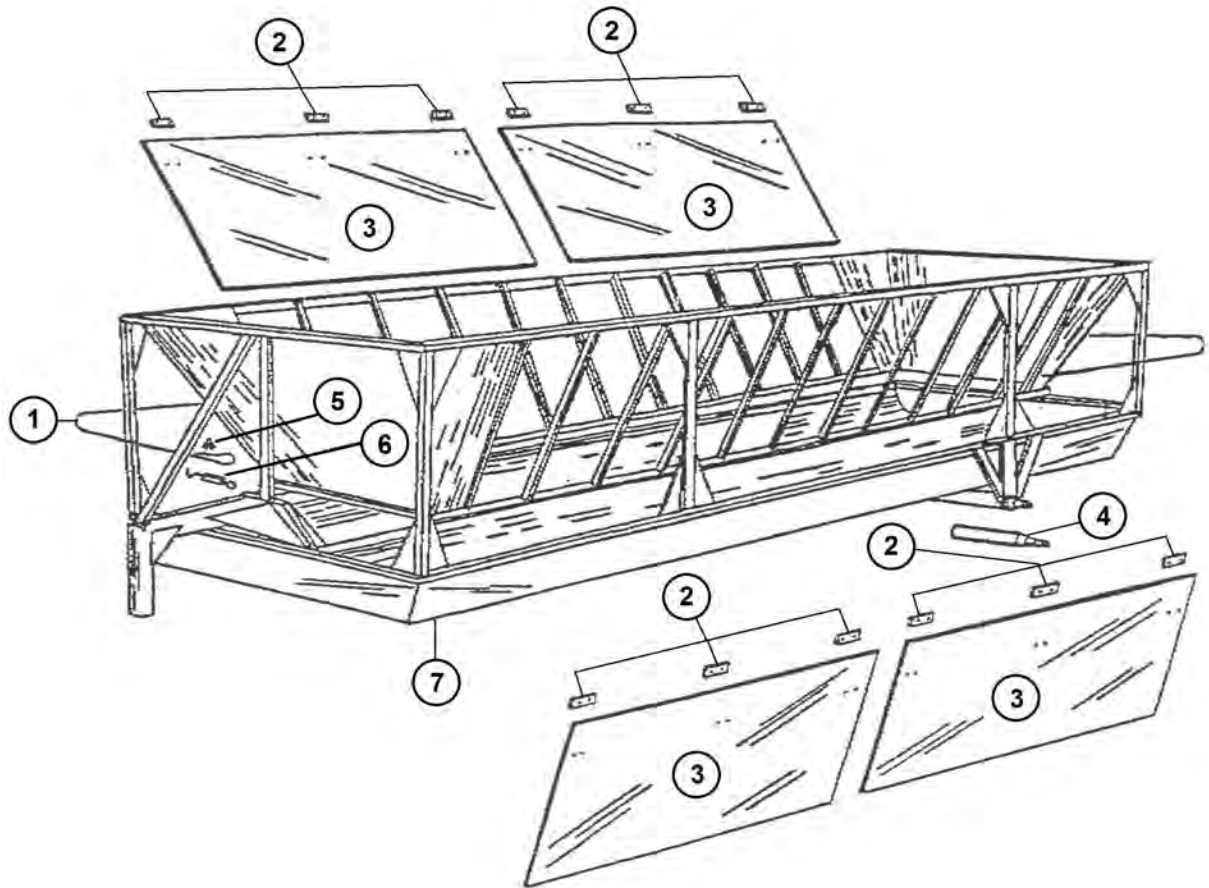
PLEASE RECORD NUMBERS FOR YOUR UNIT FOR QUICK REFERENCE

## **ABOUT IMPROVEMENTS**

H&S IS CONTINUALLY STRIVING TO IMPROVE IT'S PRODUCTS

We must therefore, reserve the right to make improvements or changes whenever it becomes practical to do so without incurring any obligation to make changes or additions to the equipment previously sold.

**FIGURE 1**  
**MAIN FRAME & COMPONENTS**



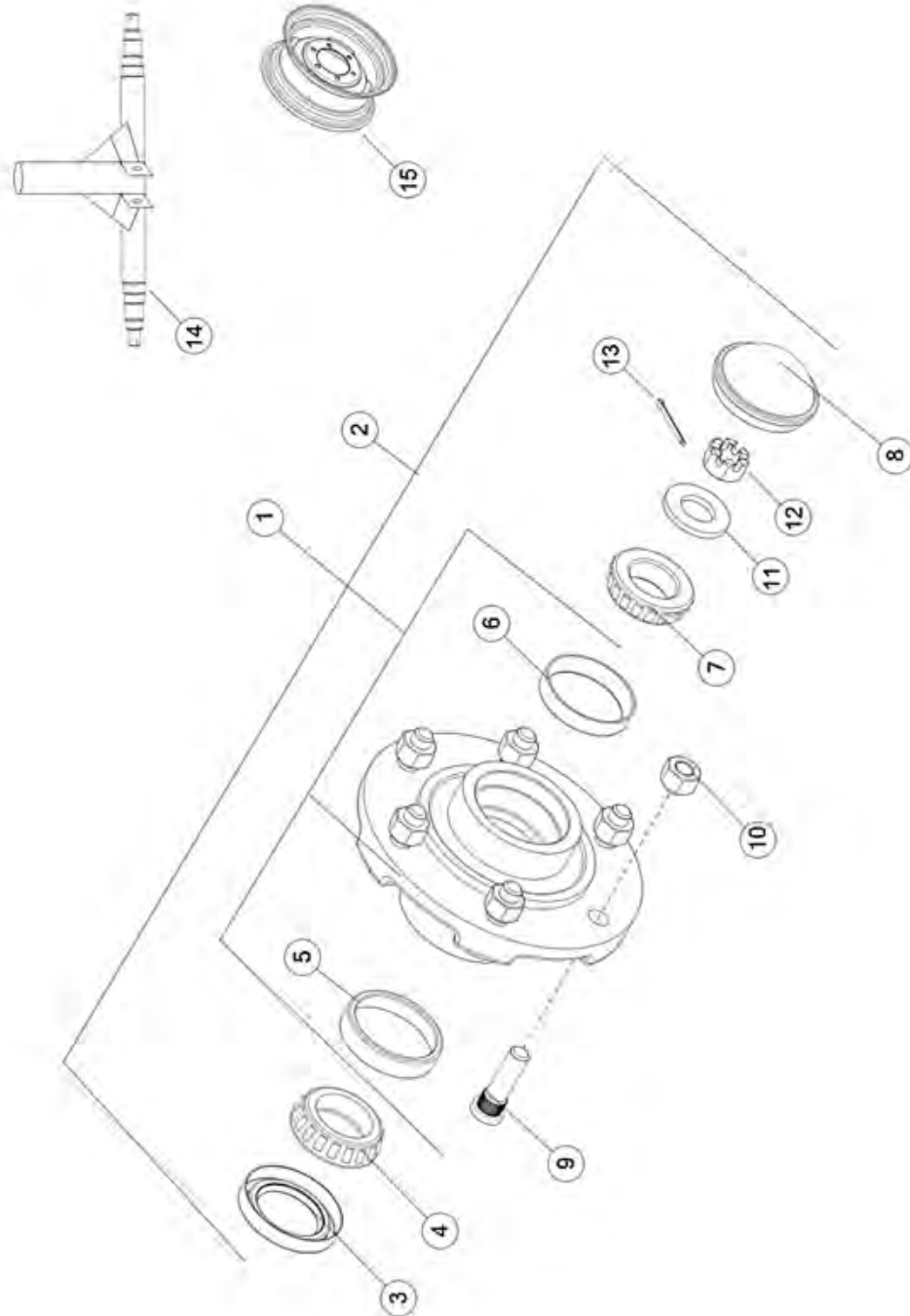
# FIGURE 1

## MAIN FRAME & COMPONENTS

<u>ITEM</u>	<u>PART #</u>	<u>DESCRIPTION</u>
1	GF25	CABLE - 16' FEEDER
2	GF32	ATTACHMENT TABS
3	76125	SHEET, 14G, 32 X 48, SIDE PANEL, GALV
4	76051	SPINDLE, 2.50, 7.19, 3500 LBS
5	GF29	CABLE CLAMPS
6	GF28	TURNBUCKLE
7	GF39	COMPLETE FRAME 16 FOOT
*	GF40	COMPLETE FRAME 20 FOOT
*	GF41	COMPLETE FRAME 24 FOOT

\* MEANS NOT SHOWN

# **FIGURE 2** **WHEEL HUB ASSEMBLY**



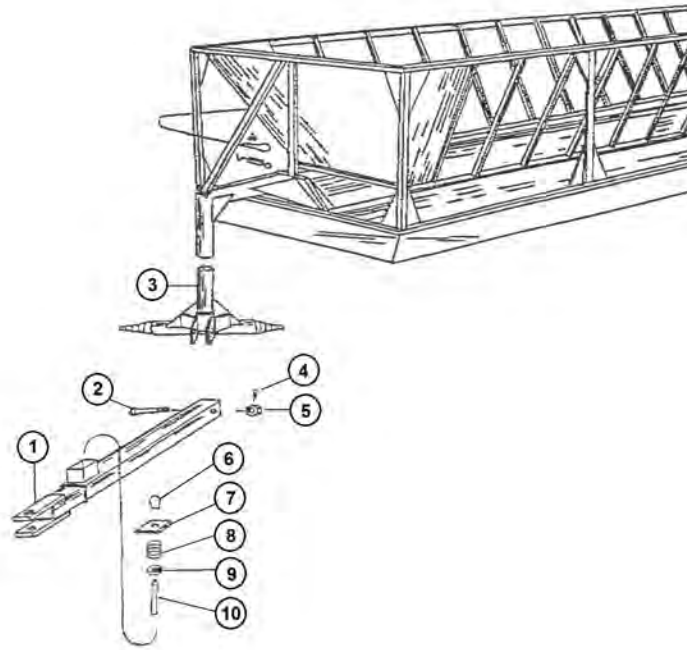
## FIGURE 2

### WHEEL HUB ASSEMBLY

<u>ITEM</u>	<u>PART #</u>	<u>DESCRIPTION</u>
1	RG101	ASSM, HUB, 888, WITH RACES AND STUDS
2	RG254	HUB ASSEMBLY
3	12N17	GREASE SEAL, 2.57OD X 1.61ID X 0.43
4	12N18	BRG, 2.28 X 1.50 X 0.67, TAPER
5	12N19	HUB 888, INNER RACE, 2.48OD
6	17G146	OUTER RACE, 2.33 OD, HUB 888
7	17G145	TAPERED ROLLER BEARING, 1.249 BORE
8	17G144	HUB CAP
9	YBSD16005	BOLT, STUD, 1/2-20UNF X 1-7/8 X 3/8, G5, ZC
10	YNWL16005	NUT, WHEEL, 1/2-20, NA, G5, ZC
11	HD200	ROAD WHEEL SPINDLE WASHER
12	YNSL28005	NUT, SLOT, 7/8-14, NA, G2, NF
13	YPCT05010	COTTER PIN 5/32" X 1-1/2"
14	GF3	FRONT AXLE ASSY LESS TONGUE/HUBS
15	GF30	15 X 6 6 BOLT RIM

# **FIGURE 3**

## **HITCH ASSEMBLY**



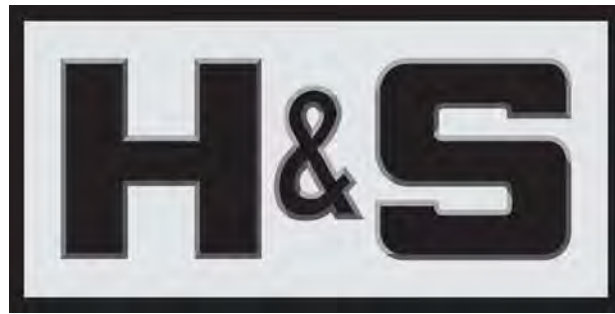


**FIGURE 3**  
**HITCH ASSEMBLY**

<b><u>ITEM</u></b>	<b><u>PART #</u></b>	<b><u>DESCRIPTION</u></b>
1	GF4	E-Z HITCH TONGUE
2	GF21	POLE BOLT
3	GF3	FRONT AXLE ASSY LESS TONGUE/HUBS
4	YPCT05025	COTTER PIN, 5/32 X 2
5	BT3	NUT 7/8" SLOTTED
6	BT5	PIN PULL RING
7	BT6	6 BALE TRANSPORTER W/RIMS
8	GF6	SPRING
9	BT7	WASHER
10	YPCT05010	COTTER PIN 5/32" X 1-1/2"







**H&S Manufacturing products are approved for the  
FEMA SEAL OF QUALITY**

**P.O. BOX 768, MARSHFIELD, WI 54449  
(715) 387-3414 FAX (715) 384-5463  
[www.hsmfgco.com](http://www.hsmfgco.com)**